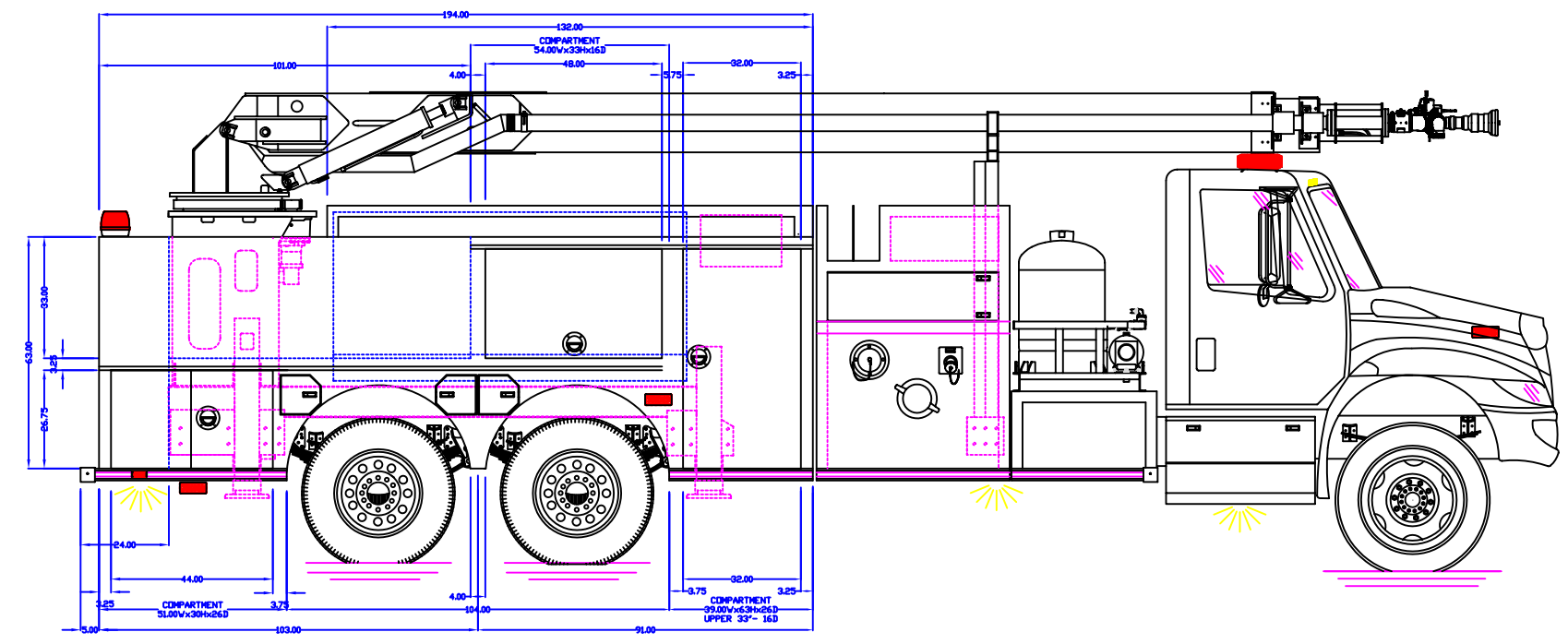
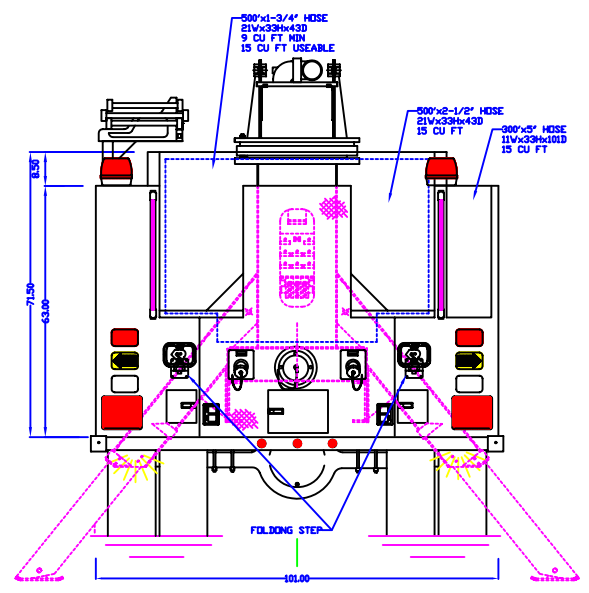
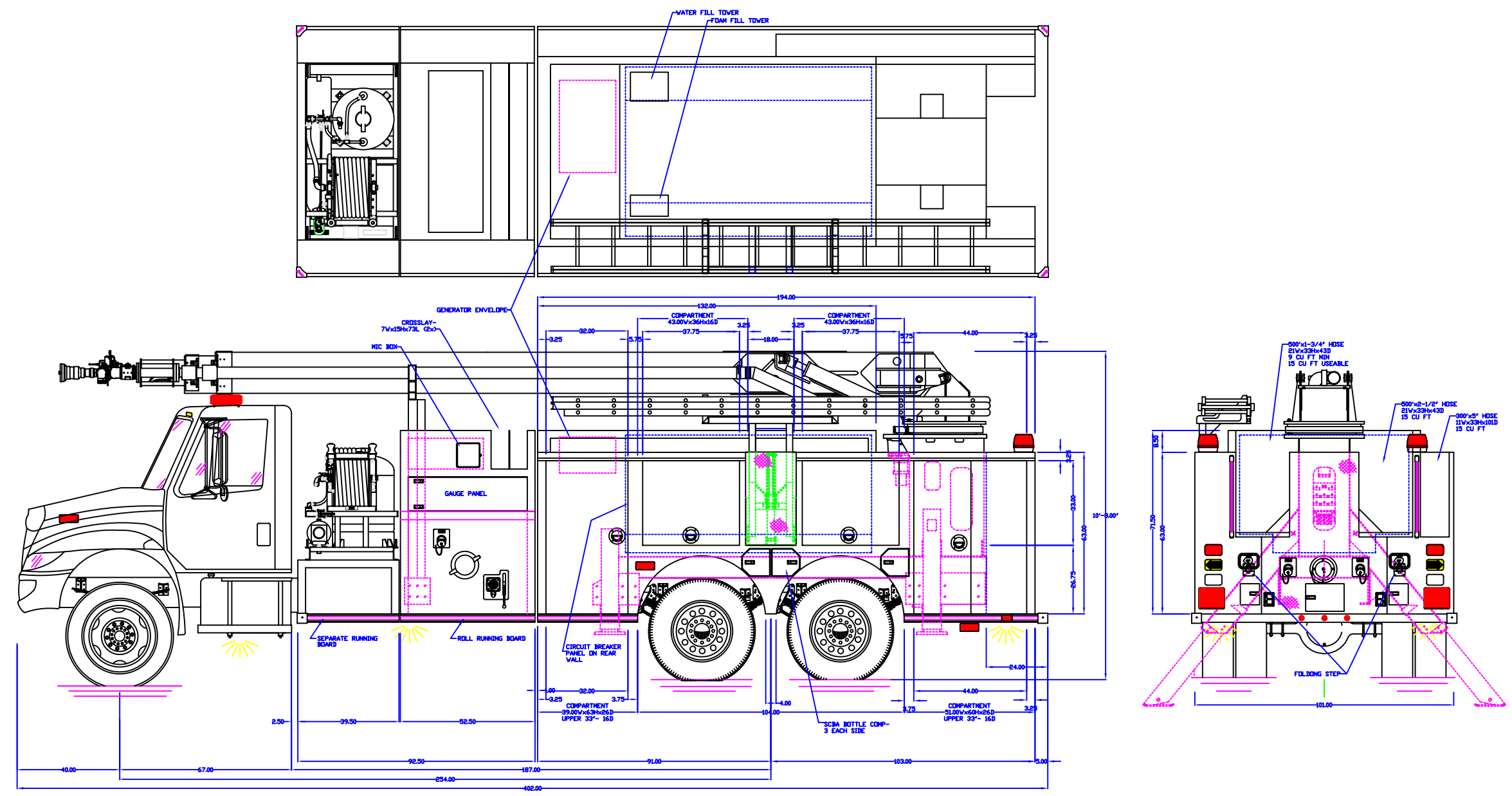



APPROVED BY:



NOTE: TANK CAP- 500 GAL. POLYPROPYLENE  
 FOAM CELL- 500 GAL  
 PUMP CAP- 1250 GPH  
 DIMENSIONS SHOWN ARE APPROXIMATE AND ARE SUBJECT TO MINOR DEVIATIONS DURING CONSTRUCTION  
 NOT ALL ITEMS IN SPECS ARE SHOWN IN THIS PRINT  
 COMPARTMENT INTERIORS SPATTER PAINT  
 SIDE PUMP PANELS STAINLESS STEEL  
 SMART POWER BKV GENERATOR INSTALLED  
 NFPA UPPER LIGHT PACKAGE- WHELEN  
 NFPA LOWER LIGHT PACKAGE- WHELEN  
 HOSEBED-

|      |                |         |                  |                 |
|------|----------------|---------|------------------|-----------------|
| NONE | MAXIMUM HEIGHT | SPS TEK | SPS TEK          | SPS TEK         |
| NONE | MAXIMUM LENGTH | SPS TEK | REVISED 12-28-05 | REVISED 6-14-06 |
| 101" | BODY WIDTH     | SPS TEK | REVISED 11-10-07 | REVISED -       |



DOW CHEMICAL, MIDLAND, MI

SCALE REF. ONLY 