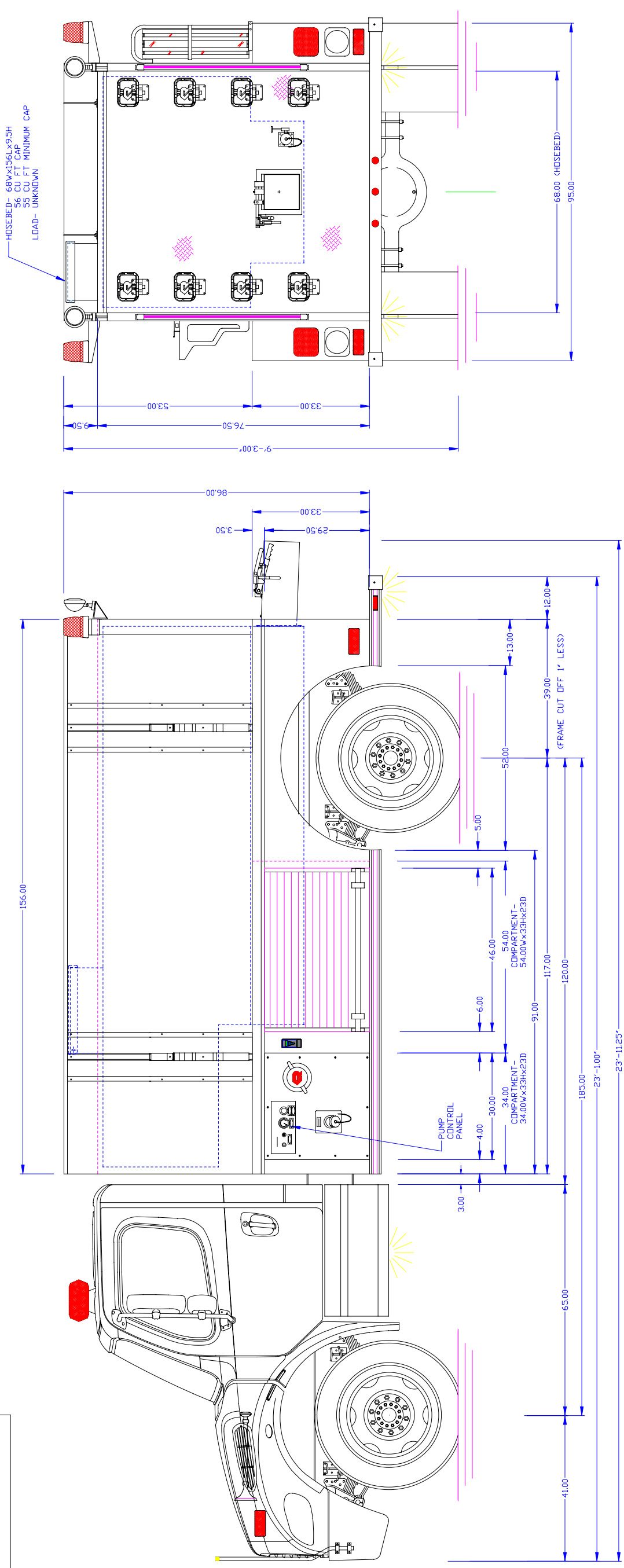
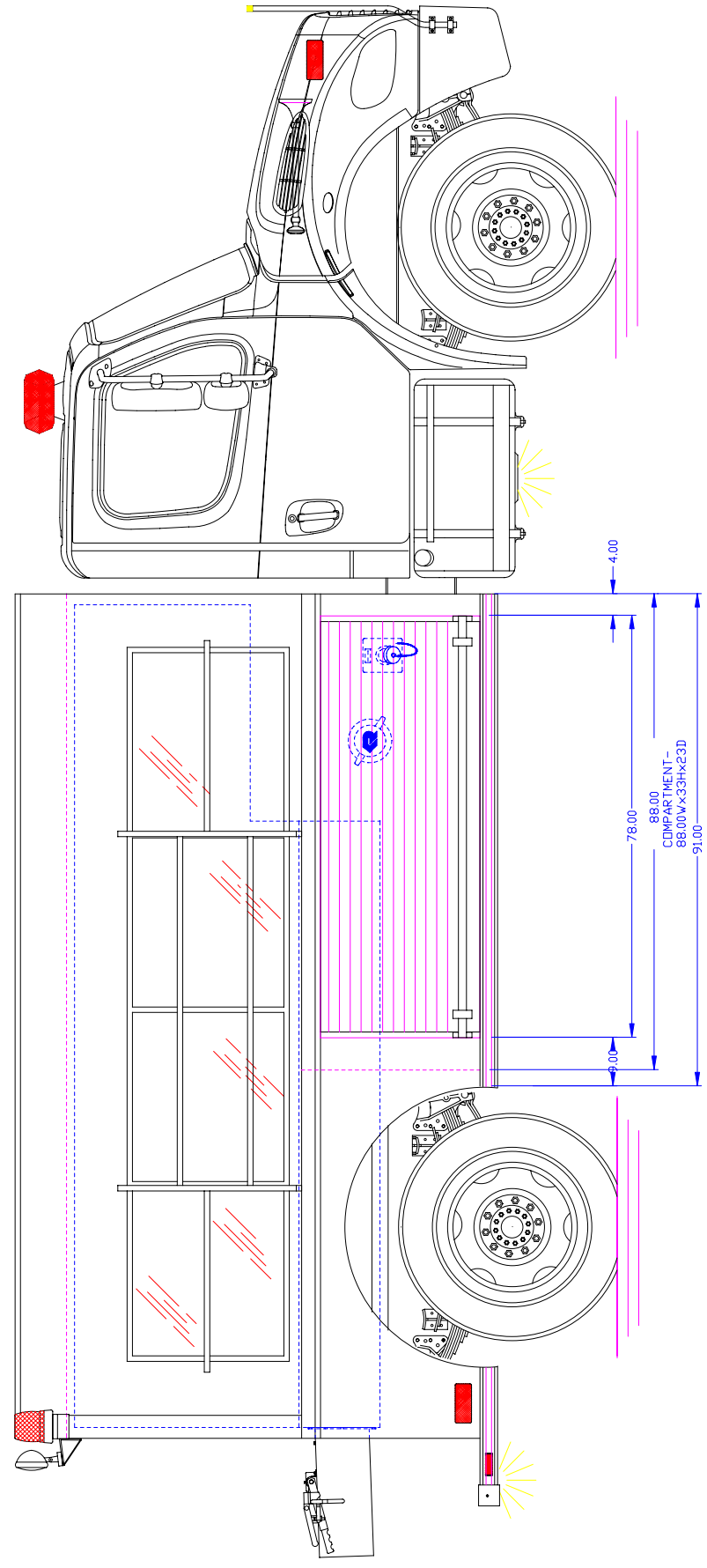


APPROVED BY:



NOTE: TANK CAP - 1800 GAL POLYPROPYLENE
PUMP - 500 GPM DARLEY PTO DRIVEN
DIMENSIONS SHOWN ARE APPROXIMATE
AND ARE SUBJECT TO MINOR DEVIATIONS
DURING CONSTRUCTION
NOT ALL ITEMS IN SPECS ARE SHOWN ON
THIS PRINT
COMPARTMENT INTERIORS SPATTER PAINT
NFPA UPPER LIGHT PACKAGE - WELDON
NFPA LOWER LIGHT PACKAGE - WELDON
ROLL UP DOOR EFFECTIVE OPENING -
3" NARROWER AND 5" SHORTER THAN
ACTUAL OPENING IN BODY



NONE	MAXIMUM HEIGHT	SPTA VLM DATE: 08-30-04	ESTM REVISED
NONE	MAXIMUM LENGTH	PROGRAM	
95"	BODY WIDTH		

ROSENBAUER

FILER TWP. FPD., MI

DRAWING NUMBER
0
12" SCALE: REF. ONLY
fitermi