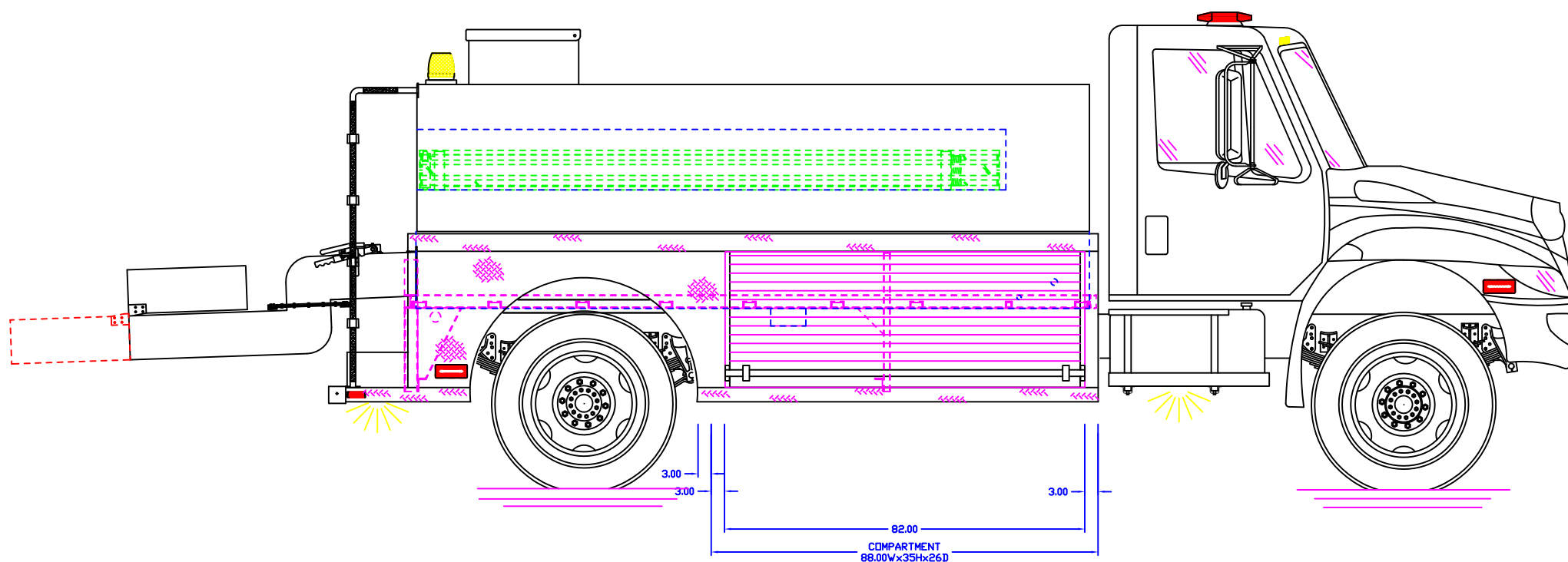
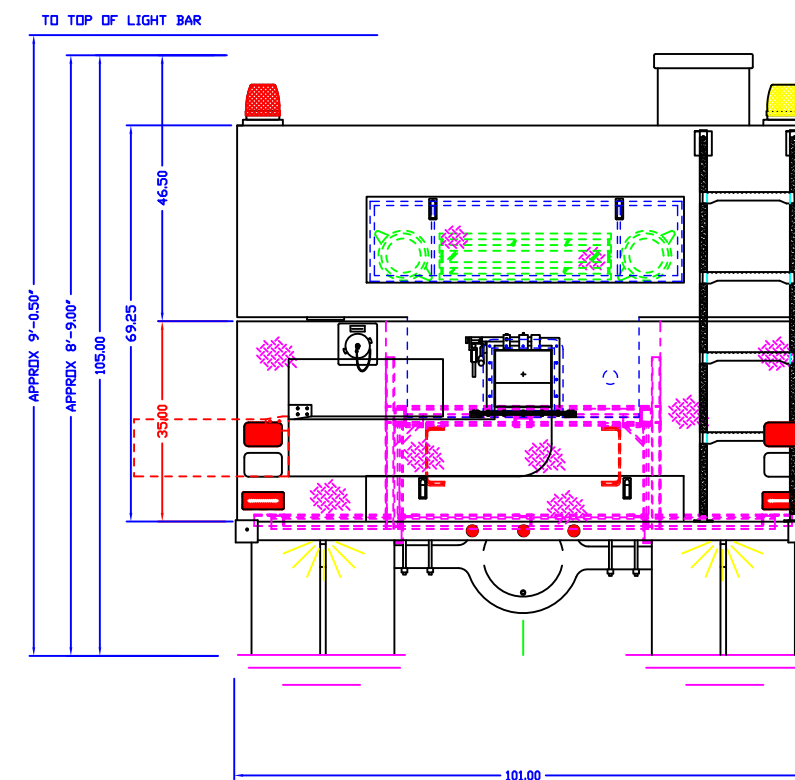
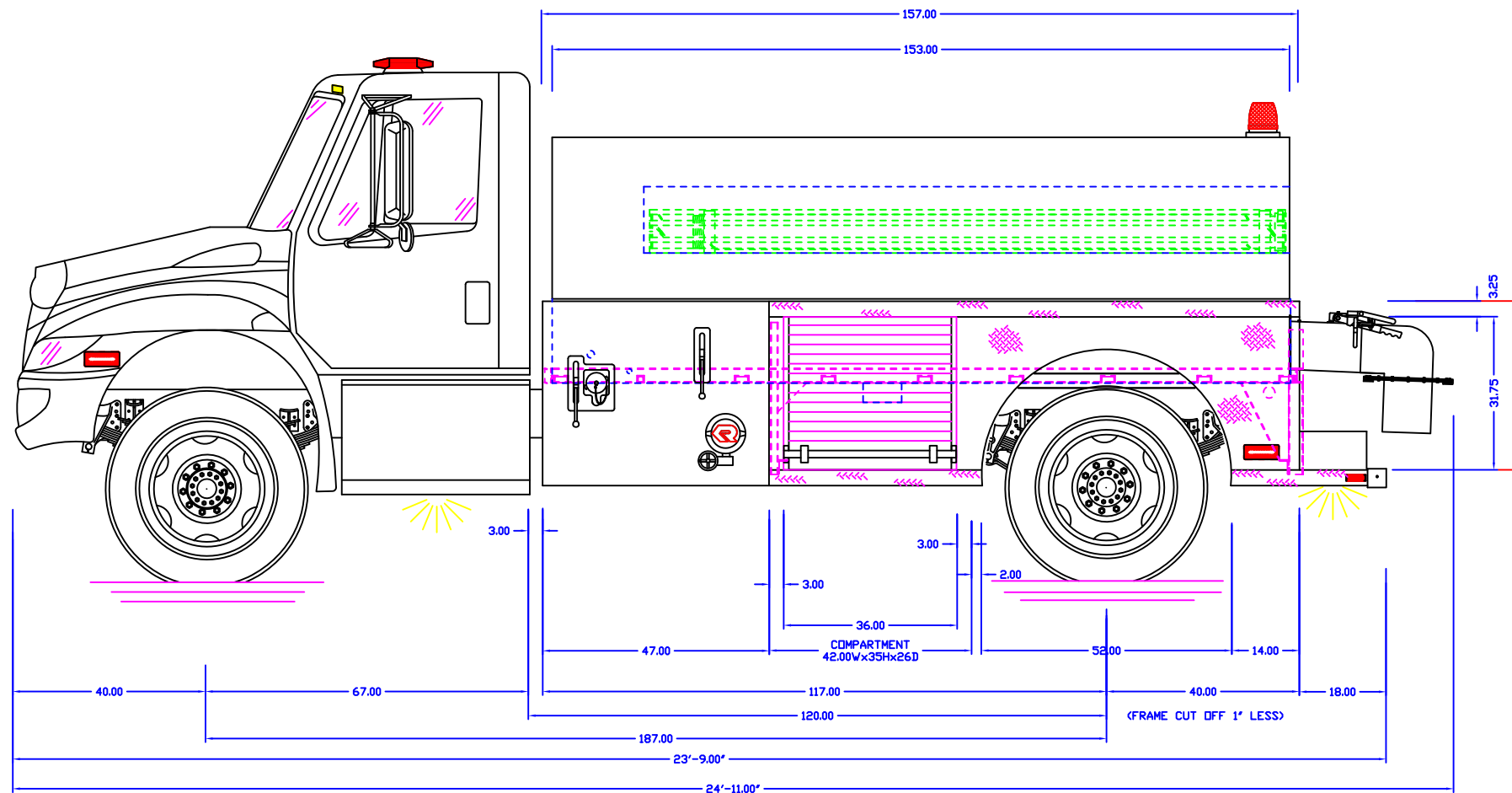


APPROVED BY:

NOTE: UNLOADED HEIGHTS MAY BE 4" ABOVE HEIGHTS SHOWN



NOTE: TANK CAP- 2000 GAL POLYPROPYLENE
 PUMP CAP- 500 GPM DARLEY
 DIMENSIONS SHOWN ARE APPROXIMATE AND ARE SUBJECT TO MINOR DEVIATIONS DURING CONSTRUCTION
 NOT ALL ITEMS IN SPECS ARE SHOWN ON THIS PRINT
 SIDE PUMP PANEL BLACK THERMOPLASTIC
 NFPA UPPER LIGHT PACKAGE- CODE 3
 NFPA LOWER LIGHT PACKAGE- CODE 3
 ROLL UP DOOR EFFECTIVE OPENING- 3' NARROWER AND 5' SHORTER THAN ACTUAL OPENING IN BODY

NONE	MAXIMUM HEIGHT	DPTH V/LM DATE: 06-07-07	DPTH REVISED
NONE	MAXIMUM LENGTH	PROGRAM	
101"	BODY WIDTH		



HUDSON TWP FD, MI

0 12' 24' SCALE: REF. ONLY

HUDSON TWP FD, MI
 hudson twp, mi#2