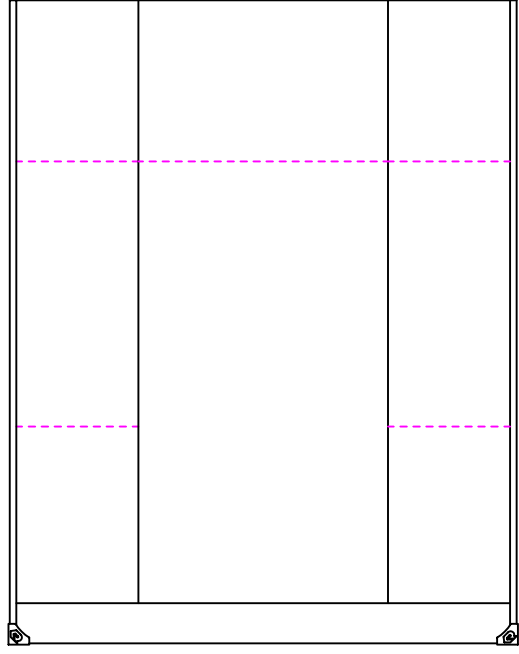
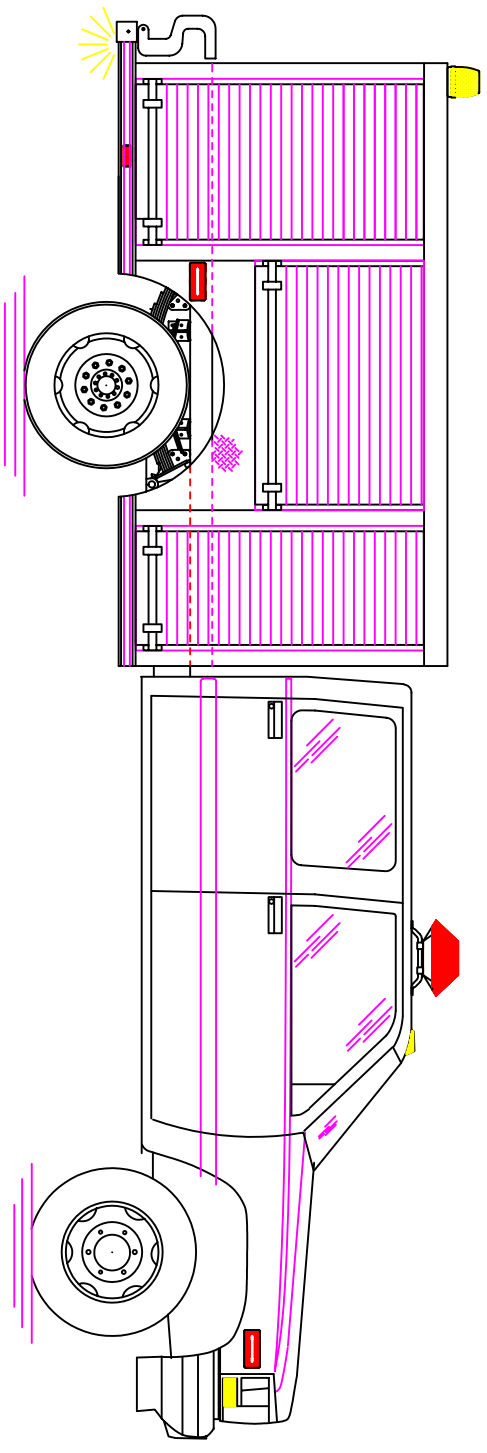
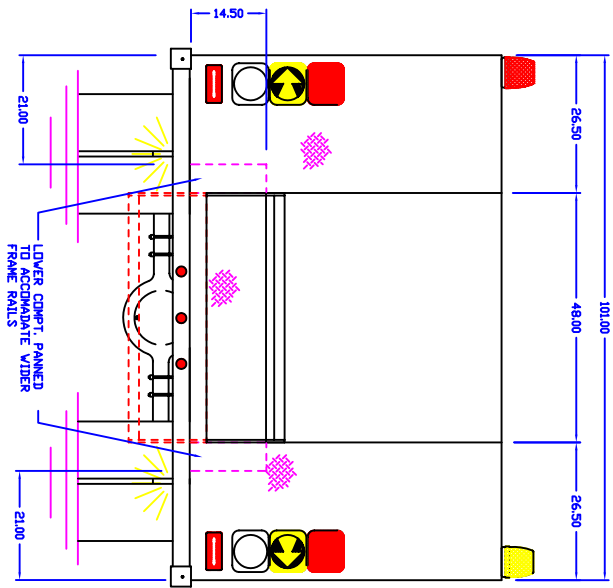
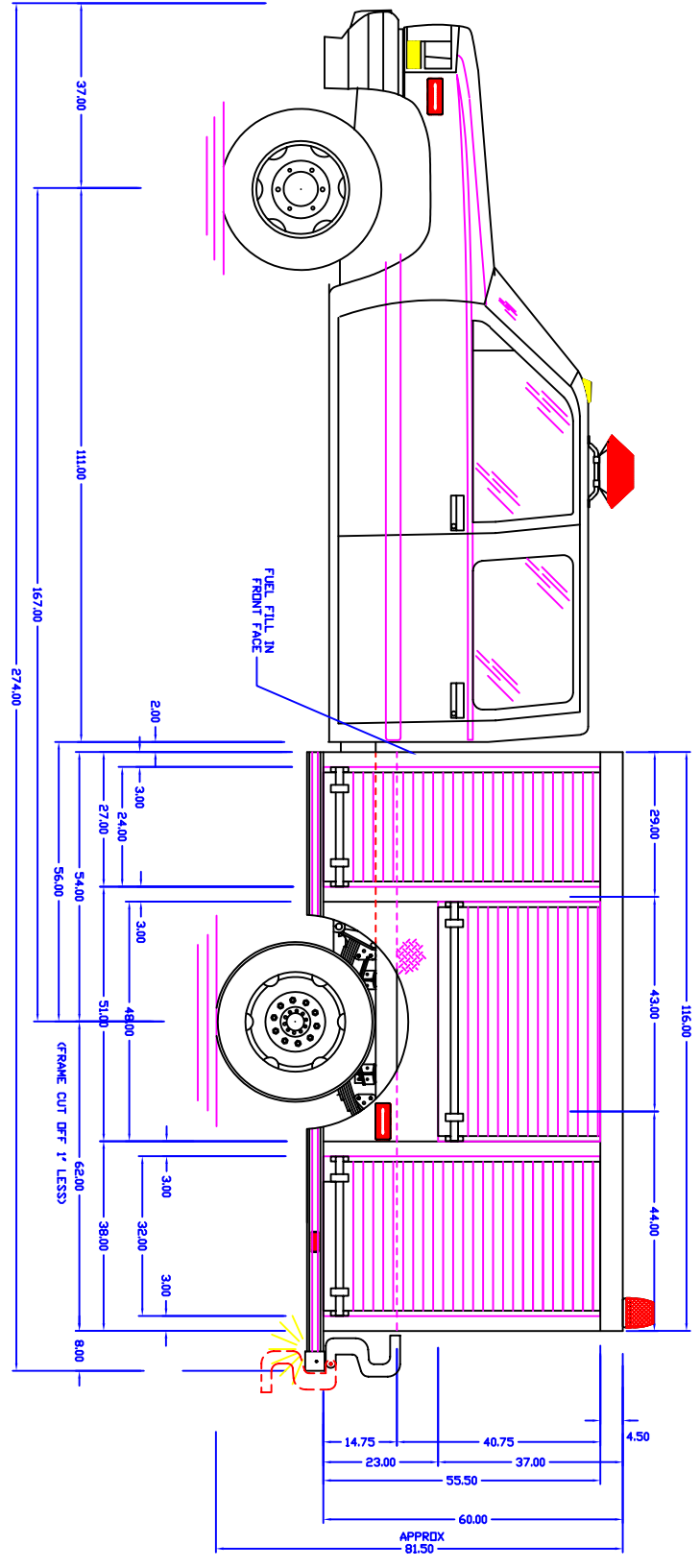


APPROVED BY:



NOTE: COMPARTMENTS 23" DEEP  
 DIMENSIONS SHOWN ARE APPROXIMATE  
 AND ARE SUBJECT TO MINOR DEVIATIONS  
 DURING CONSTRUCTION  
 NOT ALL ITEMS IN SPECS ARE SHOWN ON  
 THIS PRINT  
 COMPARTMENT INTERIORS NATURAL FINISH  
 NFPA UPPER LIGHT PACKAGE- CODE 3  
 NFPA LOWER LIGHT PACKAGE- CODE 3  
 ROLL UP JOB- EFFECTIVE OPENING-  
 27" WIDER AND 5" SHORTER THAN  
 ACTUAL OPENING IN BODY

NOTE: UNLOADED HEIGHTS MAY BE  
 4" ABOVE HEIGHTS SHOWN



NONE	MAXIMUM HEIGHT	MIN 4.6/06	MAX 5.9/06
NONE	MAXIMUM LENGTH		
95"	BODY WIDTH		
		56" C/A MINI	



MARLETTE, MI